



by Electrodrive TugMini



Move smaller trolleys or wheeled objects safely and efficiently

Designed with smaller weights and spaces in mind (up to 500kgs), the Tug Mini is ideal for effortlessly moving lighter duty trolleys (such as medical or document trolleys) within an institutional or industrial setting.

The Tug Mini attaches easily to your trolley, allowing its strong electric motor to move heavy or awkward loads. This both increases workplace productivity, and minimises the back and shoulder strain often associated with moving heavy objects. The Tug Mini features easy to use tiller controls which allow the operator to walk in front of the heavy load, providing the operator maximum forward vision and reducing the possibility of accidents when negotiating turns.

Typical applications include:

- Moving document trolleys around universities
- Transporting medical carts around hospitals
- Moving bins or linen trolleys

 Move trolleys or wheeled objects weighing up to 500kg safely

 Non marking tyres for indoor use

 Quiet, smooth operation with zero emissions

 Low maintenance

 Easy attachment to trolleys

 Simple to use, no driver's licence required

 Training and servicing programs available

 Comprehensive 12 month warranty on all Electrodrive equipment

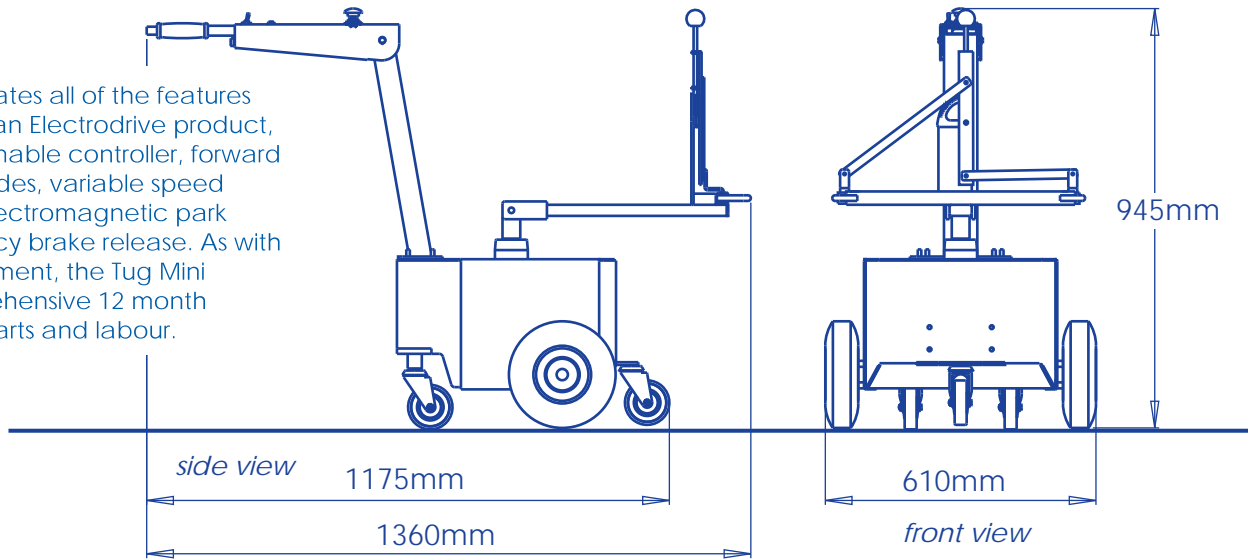




by Electrodrive TugMini

The Tug Mini incorporates all of the features you would expect in an Electrodrive product, including a programmable controller, forward and reverse drive modes, variable speed control, automatic electromagnetic park brakes and emergency brake release. As with all Electrodrive equipment, the Tug Mini comes with a comprehensive 12 month warranty, including parts and labour.

Standard Unit



Specifications

	TugMini:
Height:	945mm
Length:	1360mm
Width:	610mm
Hitch Ht.	550mm
Capacity:	500kg
Weight:	110kg
Voltage:	24V
Range:	~10km

Trolley Hitch



Controls

