



WasteBin by Electrodrive *Mover*



Move multiple waste bins safely and efficiently

The Waste Bin Mover is an ideal solution for facilities with large (600 litre +) or multiple waste bins (80-240litre wheelie bins) that need to be regularly moved for emptying. The Waste Bin Mover allows one person to quickly and effortlessly move waste bins to a centralised area - letting the battery powered Electrodrive Tug do all the work. The Waste Bin Mover features an Electrodrive Tug (capacity depending on application) attached directly to your large waste bin or to our Waste Bin Trolley. The Waste Bin Trolley can carry a variety of waste bins and can be customised to suit the needs of your facility.

If you want to reduce the OH&S risk and time your staff are spending on moving waste bins around your facility, then the Waste Bin Mover is the ideal solution for you.

Typical applications: Moving of large bins or multiple wheelie bins to a centralised pick up area.

Typical users: Apartment buildings, schools, sports grounds, hotels, universities, and institutions.

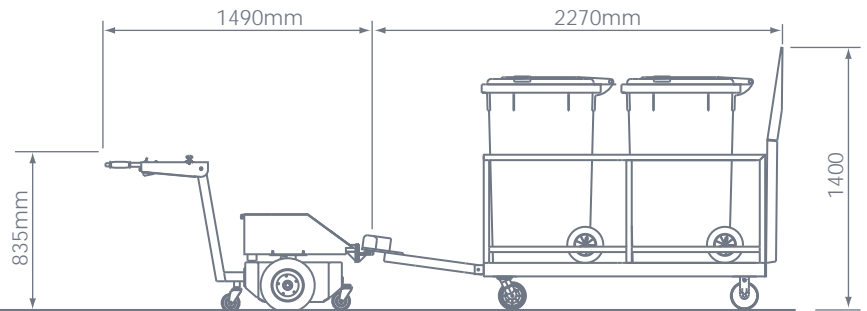
-  Features Electrodrive Tug and/or Waste Bin Trolley
-  Customised solutions to suit your facility (Solutions for 8+ bins)
-  Easily traverses outdoor terrain and weatherproof
-  Electric powered: 24V gel cell batteries, zero emissions
-  Equipment training and servicing programs available
-  Simple to use, no driver's licence required
-  Comprehensive 12 month warranty on all Electrodrive equipment



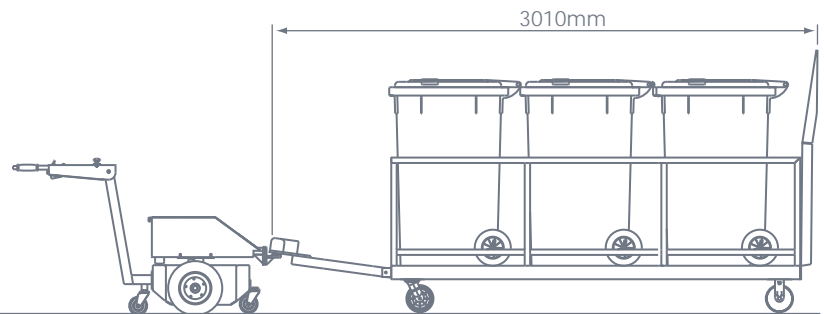


Waste Bin by Electrodrive Mover

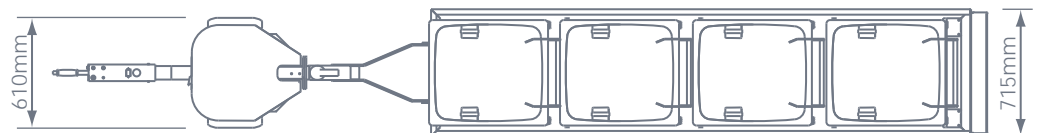
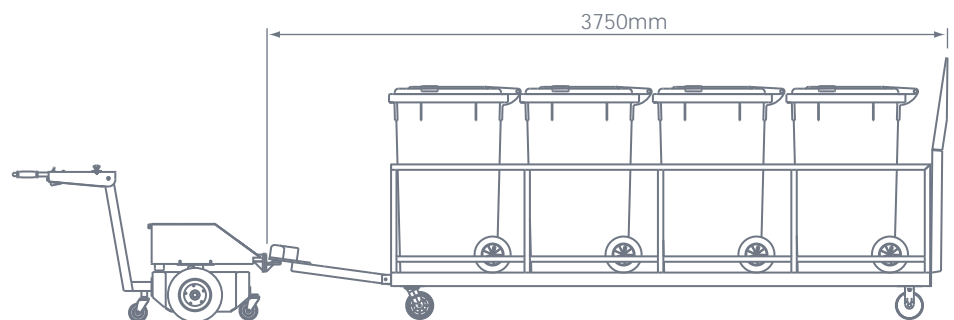
2 Waste Bin System



3 Waste Bin System



4 Waste Bin System



top view

Note: Customized solutions also available.

Specifications

	1 Tonne Tug:	2 Bin Mover:	3 Bin Mover:	4 Bin Mover:
Height:	835mm	1400mm	1400mm	1400mm
Length:	1490mm (tiller handle down)	2270mm	3010mm	3750mm
Width:	610mm	715mm	715mm	715mm
Capacity:	1 tonne	460kg	690kg	920kg
Weight:	165kg			
Voltage:	24V	unpowered	unpowered	unpowered
Range:	~10km			