



by Electrodrive Tug Classic





Move heavy wheeled objects safely and efficiently

The Tug Classic allows a single operator to move heavy or awkward trolleys safely & efficiently. Utilising a powerful electric motor, the Tug Classic is available in capacities of 1, 2, or 3.5 tonne.

The Tug Classic minimises operator effort while increasing work place efficiency— often allowing the job of two or three people to be done by one. The Tug Classic hitches easily to your load, and is controlled with an easy to use tiller handle. This allows the operator to walk in front of the heavy load during movement; providing the operator maximum forward vision and reducing the possibility of accidents when negotiating turns. An articulated body increases the maneuverability further still, allowing for tighter turning.

Typical applications include:

- Moving trolleys through airports, factories or institutions
- Transport of stillages around a facility
- Moving specialist equipment

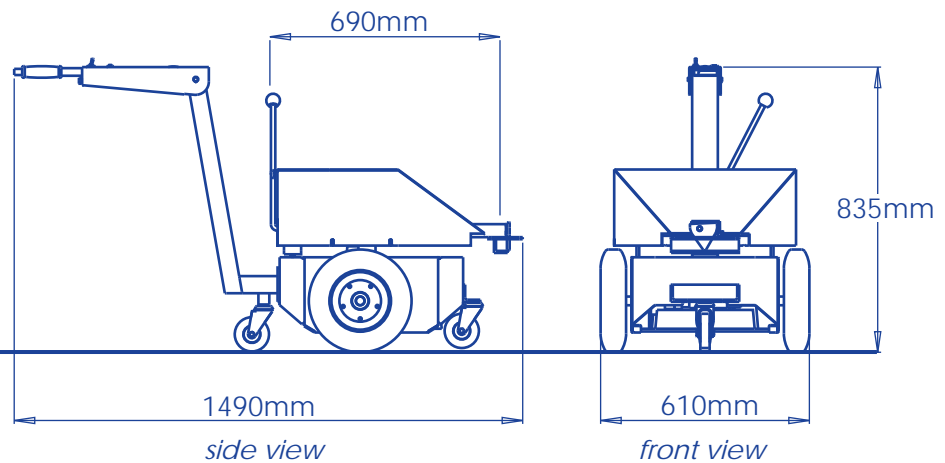
-  Capacity: 1, 2, & 3.5 tonne models available
-  Move heavy trolleys and wheel objects safely and efficiently
-  Quiet, smooth operation with zero emissions
-  Low maintenance
-  Easy attachment to trolleys, manual or automated hitches available
-  Simple to use, no driver's licence required
-  Training and servicing programs available
-  Comprehensive 12 month warranty on all Electrodrive equipment



by Electrodrive Tug Classic

The Tug Classic comes standard with automatic electromagnetic park braking, forward and reverse drive controls, variable speed control, lever operated throttle, a high capacity programmable controller, and emergency brake release. As with all Electrodrive equipment, the Tug Classic comes with a comprehensive 12 month warranty, including parts and labour.

1 Tonne Tug



Specifications

	1 Tonne Tug :	2 Tonne Tug :	3.5 Tonne Tug :
Height:	835mm	835mm	835mm
Length:	1490mm	1490mm	1520mm
Width:	610mm	700mm	735mm
Capacity:	1 tonne	2 tonne	3.5 tonne
Weight:	165kg	200kg	280kg
Voltage:	24V	24V	24V
Range:	~12km	~12km	~12km

Trolley Hitch



Controls

