

Gzunda BED MOVERS

MOVE PATIENTS SAFELY AND EFFICIENTLY



Gzunda GZS
No under-bed clearance required.



Gzunda GZ10SL
Suits most standard beds.



Powered Fifth Wheel (P5W)
A retrofittable solution for converting manually pushed hospital beds into powered ones. Includes a motorised drive wheel, hand controller and smart charger.

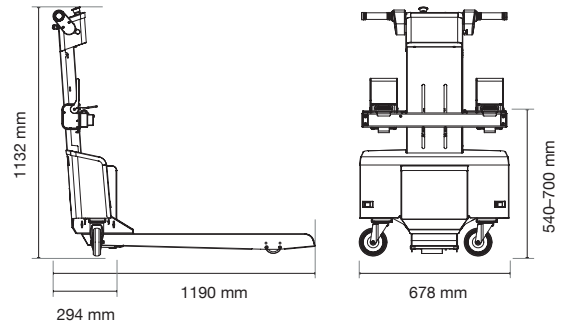
- ✓ Move up to 600 kg
- ✓ Easy to use
- ✓ Quiet to operate
- ✓ No license required
- ✓ 12-month warranty
- ✓ 240V Smart charger
- ✓ 24V Gel cell batteries
- ✓ Made in Australia

The Gzunda bed mover range

GZ10SL Slimline The most popular bed mover in Australia. Suits most standard beds.



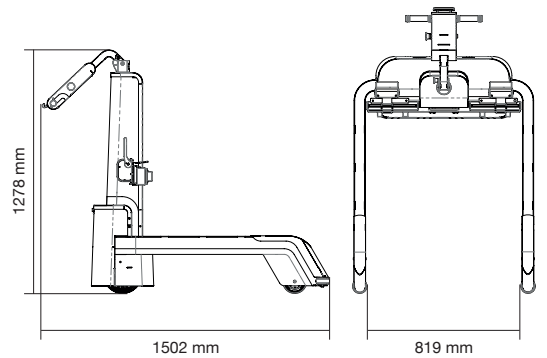
Load capacity	500 kg at 6° incline
Features	<ul style="list-style-type: none"> ▪ Compact and easy to manoeuvre in tight corridors. ▪ Requires 100 mm of clearance under the bed (can be modified to 90 mm if required).
Voltage	24 V
Speed	Up to 5 km/h
Order code	GZ10SL(NH)



GZS Move up to 600 kg. Suits bulky beds with no 'under bed clearance'.



Load capacity	600 kg at 6° incline
Features	No under-bed clearance required.
Voltage	24 V
Speed	Up to 4 km/h
Order codes	GZSIN(NH) (for beds 800 mm wide) GZSUS(NH) (for beds 900 mm wide)



P5W A retrofittable solution for converting hospital bed into powered ones. Ask about our fitting services.

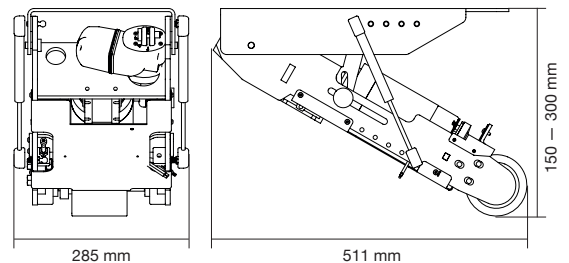


Hospital bed fitted with motorised drive wheel and hand controller.



Motorised drive wheel.

Load capacity	500 kg at 6° incline
Features	Sold as complete system, including: <ul style="list-style-type: none"> • Motorised drive wheel • Hand controller • Battery • Charger • Power cables. Compact size—excellent for confined spaces.
Voltage	24 V / 21 Ah
Speed	Up to 4.5 km/h
Order code	P5W500



Motorised drive wheel

Electrodrive Pty Ltd | 1800 333 002 | sales@electrodrive.com.au | www.electrodrive.com.au

Victoria
2A Ayton Street
Sunshine North VIC 3020

New South Wales
Mobile sales:
0437 326 298

Queensland
4/11 Christensen Road
Stapylton QLD 4207

